

CABLE 370 RF: SMA STRAIGHT PLUG + N S/T BULKHEAD JACK W/O-RING RATED TO IP67/68 + RG178 CABLE

SPECIFICATIONS:

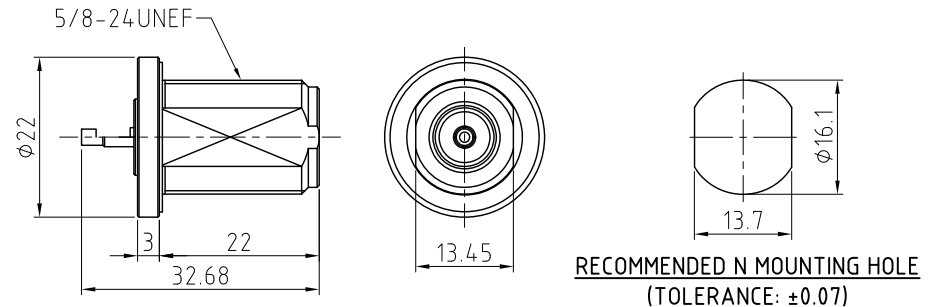
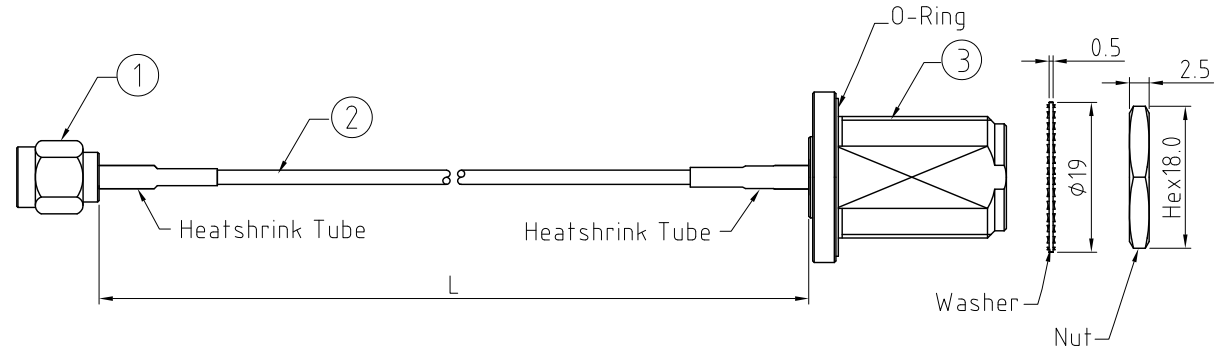
1. SMA STRAIGHT PLUG, P/N: RFCT-SMA022-M78.
2. RG178 COAXIAL CABLE, COLOR: BROWN.
3. N STRAIGHT BULKHEAD JACK WITH O-RING RATED TO IP67/68, P/N: RFCT-N001-F78.

ENVIRONMENTAL:

- A. N BULKHEAD CONNECTOR (RFCT-N001-F78 ) RATED TO THE FOLLOWING SPECIFICATION:
- i. IP6X - DUST TIGHT - NO PARTICLE INGRESS.
  - ii. IPX7 WATERPROOF FOR 30 MINUTES UP TO 1 METER UNDERWATER.
  - iii. IPX8 WATERPROOF FOR 48 HOURS AT 1 METER UNDERWATER.

NOTES:

1. THE ORIENTATION OF CONNECTORS ON DRAWING IS FOR REFERENCE ONLY, IF THE ORDER IS LEFT BLANK THE CONNECTOR WILL NOT HAVE FIXED ORIENTATION.
2. FIXED ORIENTATION IS SUGGESTED FOR CABLE LENGTH 50MM TO 100MM. PLEASE SPECIFY THE FIXED ORIENTATIONS FROM THE ORDER CODE (F1, F2, ETC)
3. CONTACT GRAD CONN IF THE ORIENTATION YOU REQUIRE IS NOT SHOWN.
4. WORKING FREQUENCY RANGE: DC-3GHz
5. OPERATING TEMPERATURE: -40°C TO +155°C.
6. IMPEDANCE: 50 OHM.



N DETAIL DRAWING

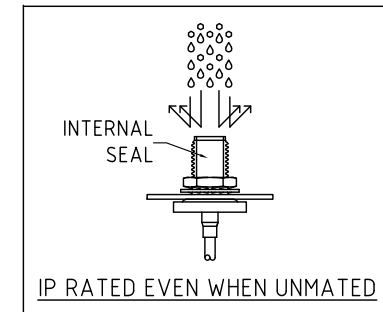
HOW TO ORDER

CABLE 370 RF - XXXX - X - 1

"L" LENGTH IN MM  
 eg: 100MM = 0100  
 (MIN. 0050-MAX.2000  
 STANDARD = 0100, 0150, 0200)  
 Tolerance: 50mm : ±2mm.  
 51-200mm: ±5mm.  
 201-500mm: ±7mm.  
 >500mm: ±10mm.

CABLE SIZE:  
 1 = RG178 CABLE, COLOR: BROWN

WASHER AND NUT OPTIONS:  
 BLANK = SEPARATELY PACKED (STANDARD)  
 A = ASSEMBLED WITH CONNECTOR



REV. DATE & DRN  
 11 24/03/24 - CC  
 ADD IP RATING VIEW

Scale: NTS	THIRD ANGLE	Unstated .X .XX .XXX ANGLES	Tolerances: N/A N/A N/A N/A
Drawn: CC			
App'd: XXX	Title CABLE ASSEMBLY		
Date: 24 MAR. '24	Revision: 1.1	Unit: mm	



IP Rated RF Products



www.gradconn.com

THIS DRAWING IS CONFIDENTIAL AND MUST NOT BE COPIED OR DISCLOSED WITHOUT WRITTEN CONSENT

Type: Cable 370 RF
CABLE 370 RF
Drawing Number:
Sheet 1 of 1
Drawing © E and O E